

BALDOR® • RELIANCE 

Product Information Packet

CD2007R-2

C1812ATCZ,7.5HP,1750RPM,240,240,DPG,F1

Part Detail							
Revision:	-	Status:	PRD/A	Change #:		Proprietary:	No
Type:	DC	Prod. Type:		Elec. Spec:	G2203C B	CD Diagram:	406770-001
Enclosure:	DP	Mfg Plant:		Mech. Spec:		Layout:	609980-023
Frame:	C1812	Mounting:	F1	Poles:	00	Created Date:	12-17-2019
Base:		Rotation:		Insulation:		Eff. Date:	12-18-2019
Field Type:		Literature:		Elec. Diagram:		Replaced By:	

Specs			
Enclosure:	DP		
Frame:	C1812ATCZ		
Frame Material:	Exposed Laminations		
Agency Approvals:	CCSA US		
Base Indicator:	Rigid		
Bearing Grease Type:	Polyrex EM (-20F +300F)		
Drip Cover:	No Drip Cover		
Duty Rating:	CONT		
Feedback Device:	NO FEEDBACK		
Field Winding Type:	STAB SHUNT		
Frame Prefix:	C		
Heater Indicator:	No Heater		
Insulation Class:	F		
Lifting Lugs:	Standard Lifting Lugs		
Mounting Arrangement:	F1		
Shaft Extension Location:	Pulley End		

Shaft Ground Indicator:	No Shaft Grounding		
Shaft Slinger Indicator:	No Slinger		
Motor Standards:	NEMA		
Thermal Device - Bearing:	None		

Nameplate 000613006HP	
CAT.NO.	CD2007R-2
FR	
ENCL.	DP
ENCL MOD	
MAX SAFE SPEED	2450
FIELD DATA	
WINDING	STAB SHUNT
VOLTS	240
MAX AMPS @ 25 C	1.40
HOT AMPS	.99/.48
	BRUSH:419904051AD
	SPLASHPROOF
SPEC NO.	T18S1011
HP	7.5
RPM	1750/2300
VOLTS	240
AMPS	27.00
SER.NO.	
DUTY	CONT
S.F.	1.0
INSUL	F
AMB.	40
POWER CODE	C
D.E. BRG.	40BC02J30X
O.D.E. BRG.	30BC02J30X
MIN. AMB.	0
TYPE	TR

Parts List		
Part Number	Description	Quantity
SA377179	SA T18S1011	1.000 EA
AA018227	AA T18S1011	1.000 EA
000692000FS	WARNING LABEL	1.000 EA
000692000FP	NP, WARNING LIFT INSTRUCTIONS	1.000 EA
418057747A	METAL FASTENER	8.000 EA
000613006HP	NAMEPLATE - RPM III D-C MOTOR W/CSA LOGO	1.000 EA
422908009B	SLVNG EXTRA SLVG LENGT	28.000 EA
609844004A	LEAD SHELF	1.000 EA
036170006EA	DRSCW METRIC NAMEPLATE	2.000 EA
609848010A	INSUL, LEAD SHELF	1.000 EA
034180008EA	KEY 5/16X5/16X1 L	1.000 EA
417735001A	SLEEVE	1.000 EA
036000025HB	HHCS M6-1.0X25L PLTD.	4.000 EA
036610008AB	METRIC LCKW M6 PLTD-G508	4.000 EA
036600008AB	MFWSH M6 PLATED	4.000 EA
036501008AB	KPNUT M6-1.0 ZINCPLETED	4.000 EA
036000030HB	MHHCSM6-1.0X30MMLTD-250	4.000 EA
036601008AB	M6 FLAT WASHER	4.000 EA
036000012HB	HHCS M6X12MM LONG PLATED	2.000 EA
419904-51AD	BRUSH C	2.000 EA
706372003A	ROCKR	1.000 EA
706364051BA	BRHLD METRIC SPRING CHG.	2.000 EA
801758052A	BRKT,ODE,C180	1.000 EA
801759054A	BRKT,DE,C180	1.000 EA

Parts List (continued)		
Part Number	Description	Quantity
004824015A	GREASE POLYREX EM	0.100 LB
036000060JB	M8-1.25 X 60MM HXHDCSCR	2.000 EA
036000050HB	MHHCS M6X50MM PLATED	2.000 EA
048977006B	GRFTG - XP	1.000 EA
400638001E	WWSHR (Customer number 43699)	1.000 EA
418150003A	GREASE FITTING CAP	2.000 EA
035000001A	ALFTG 1/8" 1610-BL	1.000 EA
035000001A	ALFTG 1/8" 1610-BL	1.000 EA
034693001AB	PPLG - G508- use 034692001AB	1.000 EA
034693001AB	PPLG - G508- use 034692001AB	1.000 EA
036500009AB	METRIC NUTM8-1.25PLTD-360	4.000 EA
036500009AB	METRIC NUTM8-1.25PLTD-360	4.000 EA
609830005L	TBOLT METRIC RP609830-	4.000 EA
415000103G	TLUG	1.000 EA
417733001A	GSK C/ BOX BASE	1.000 EA
418018074A	GROUND LABEL G100 METRIC 160 D.C.	1.000 EA
036620009AB	M8 EXTERNAL LK WASHER	1.000 EA
036000012JB	M8-1.25 X 12MM HXHDC	1.000 EA
032018004CK	HHCS 3/8-16X1/2L PLATED	4.000 EA
422919167	CVRKT BE	1.000 EA
422919160	HHCVR KIT,C180,DE,LOUVERED	1.000 EA
422919167	CVRKT BE	1.000 EA
422919172	HHCVR KIT,C180,ODE,SOLID	1.000 EA
422919174	CVRKT FE	1.000 EA

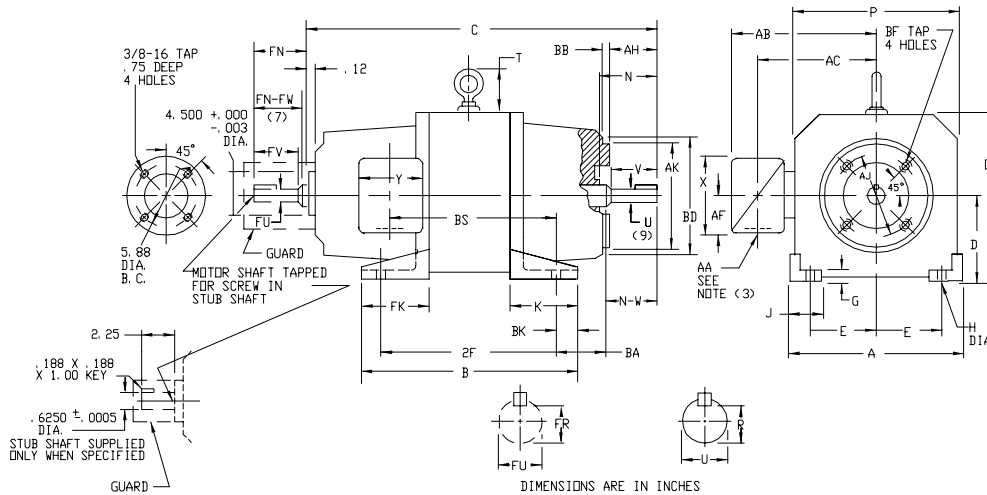
Product Information Packet: CD2007R-2 - C1812ATCZ,7.5HP,1750RPM,240,240,DPG,F1

422919173	HHCVR KIT,C180,ODE,LOUVERED	1.000 EA
422919174	CVRKT FE	1.000 EA
706320003A	CONDUIT BOX	1.000 EA
075451000A	COVER, CONDUIT BOX	1.000 EA
065530000B	GASK	1.000 EA
036000012HB	HHCS M6X12MM LONG PLATED	2.000 EA
036000012JB	M8-1.25 X 12MM HXHDC	4.000 EA
406770001	C/D TAG (STAB SHUNT)	1.000 EA
706305020A	GUARD, SHAFT	1.000 EA
034180015DA	KEY 1/4X3/16X1-7/8L-BS	1.000 EA
000640000P	TAG WINDING THERMOST	1.000 EA
000692000NF	NP 2POLE METRIC LABEL	1.000 EA
004824007K	SPECIAL PAINT	0.100 EA

INDUSTRIAL DIRECT CURRENT MOTORS AND GENERATORS – RPM III

ENCLOSURE: DRIP-PROOF FULLY-GUARDED MOUNTING: FOOT,NEMA AC "C" FACE COOLING: SELF-VENTILATED ACCESSORIES: PROVISION FOR TACHOMETER MOUNTING ONLY WHEN SPECIFIED
 SPLASHPROOF, TOTALLY ENCLOSED METHOD OF DRIVE:COUPLED OR BELTED NON-VENTILATED

FRAMES C180ATCZ



- (1) "D" DIMENSION WILL NOT BE EXCEEDED. SHIMS UP TO .03 INCHES IN THICKNESS ARE USUALLY REQUIRED FOR COUPLED OR GEARED MACHINES.
- (2) "U" AND "FU" VARY +.0000 - .0005
- (3) TERMINAL BOX CAN BE ROTATED FOR LEAD OUTLET AT TOP, SIDES OR BOTTOM. FOR MILL TYPE TERMINAL BOX DIMENSIONS SEE 609989-2.
- (4) "R" AND "FR" VARY +.000 - .015
- (5) AA CONDUIT, TERMINAL BOX PROVIDED WITH DOUBLE KNOCKOUT.
- (6) AA PIPE TAP
- (7) OPPOSITE DRIVE END SHAFT SUPPLIED ONLY WHEN SPECIFIED.
- (8) "AK" VARIES +.000, -.003. FACE RUNOUT AND ECCENTRICITY .004 MAX. T. I. R.
- (9) DRIVE END SHAFT DIMENSIONS PER 180T AC MOTOR SHAFT EXTENSION.
- (10) WHEN THE MOTOR APPLICATION DOES NOT REQUIRE THE USE OF DPP, DRIVE END, ADD .25 TO "C" DIM. FOR BRACKET COVER.

TERMINAL BOX LOCATED ON OPPOSITE SIDE WHEN F-2, W-1, W-4, W-5, W-7 OR C-1 MOUNTING IS SPECIFIED. BOX LOCATED ON TOP WHEN SPECIFIED.

MOTOR WEIGHT MAY VARY 15% FOR NON-STANDARD RATINGS AND/OR ACCESSORIES. IF MOUNTING CLEARANCE DETAILS ARE REQUIRED, CONSULT FACTORY.

DIMENSIONS ARE IN INCHES

FRAME	A	DK(1)	E	G	H	J	D	P	T	BA	K	FK	BK	BB	BD	BF TAP	*DEPTH*	AJ	AK(8)
C1811ATCZ-C1812ATCZ	9.00	4.50	3.75	1.31	1.44	1.50	8.88	8.75	1.88	2.75	4.38	4.38	.50	.25	8.75	1/2-13	.88	7.25	8.500

FRAME	C(10)	B	BS	2F	DRIVE END SHAFT AND KEY (9)										OPPOSITE DRIVE END SHAFT AND KEY (7)				WT. LBS.	
					AH	N	N-W	UK(2)	V	R(4)	SQ	LGTH	FN	FN-FW	FUK(2)	FV	FR(4)	SQ		LGTH
C1811ATCZ	24.06	14.00	11.00	12.50	2.62	3.12	2.88	1.1250	2.62	.986	.250	1.75	2.44	2.25	1.1250	2.00	.986	.250	1.38	180
C1812ATCZ	25.56	15.50	12.50	14.00	2.62	3.12	2.88	1.1250	2.62	.986	.250	1.75	2.44	2.25	1.1250	2.00	.986	.250	1.38	215

FRAME	MAX. AMPS	STEEL TERMINAL BOX DIMENSIONS													
		STANDARD SIZE					ONE SIZE LARGER								
		AA(5)	AB	AC	AF	X	Y	AA(5)	AB	AC	AF	X	Y		
C180ATCZ	40	3/4 & 1"	7.31	5.75	1.94	4.38	5.00	705028-1-R	1-1/4 & 1-1/2	8.31	6.31	2.50	5.50	6.12	705029-1-R
	96	1-1/4 & 1-1/2	8.31	6.31	2.50	5.50	6.12	705029-1-R	2" & 2-1/2"	9.44	6.69	3.19	7.00	7.62	705030-1-R

FRAME	MAX. AMPS	CAST IRON TERMINAL BOX DIMENSIONS													
		STANDARD SIZE					ONE SIZE LARGER								
		AA(6)	AB	AC	AF	X	Y	AA(6)	AB	AC	AF	X	Y		
C180ATCZ	18	3/4	9.38	7.38	2.50	5.00	5.75	705028-2-S	1	9.38	7.38	2.50	5.00	5.75	705028-2-T
	40	1	9.38	7.38	2.50	5.00	5.75	705028-2-T	1-1/2	10.31	7.88	3.00	6.00	7.00	705029-2-R
	96	1-1/2	10.31	7.88	3.00	6.00	7.00	705029-2-R	2	10.31	7.88	3.00	6.00	7.00	705029-2-S

CUSTOMER IS RESPONSIBLE FOR DETERMINING THAT BALDOR'S PRODUCT WILL PERFORM SUITABLY IN THE INTENDED APPLICATION.

REV. DESC: REVISE VIEW GEOMETRY	VERSION: 01	TDR: 000000960234
REV. LTR: A	REvised: 03:11:08 01/20/2016	BY: USPABLO
FILE: \RSN\00032\057		
MTL: -		

BALDOR

DIMENSION DRAWING,C180ATCZ,TENV,DPP,FOOT MTG.,NEMA AC C-FACE

SH 1 of 1

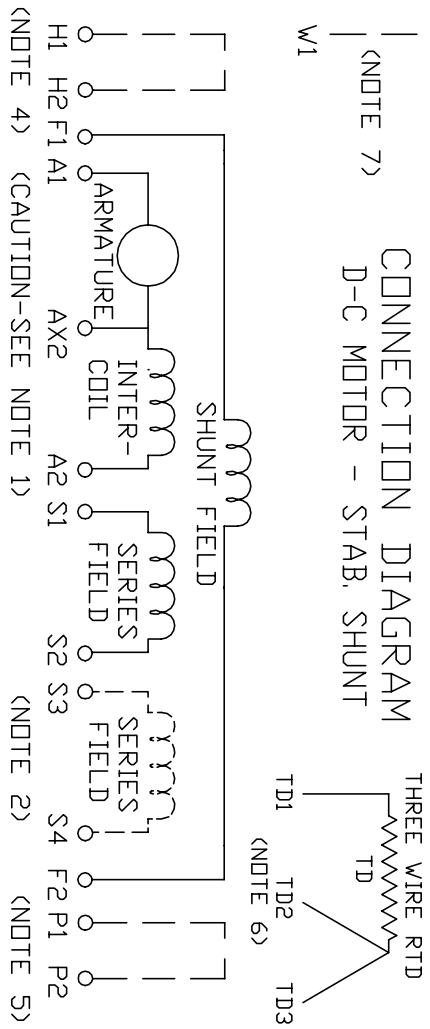
609980-023

609980-023

406770-001

406770-001

CONNECTION DIAGRAM
D-C MOTOR - STAB. SHUNT



ARMATURE AND FIELD EXTERNAL CONNECTIONS
WARNING- SEE NOTE 8 FOR GROUNDING INSTRUCTIONS



ROTATION FACING COMMUTATOR END

- CAUTION** — ARMATURE AND SERIES FIELD MAY HAVE MULTIPLE LEADS. CONNECT ALL LUGS WITH THE SAME MARKING TOGETHER.
 - OPTIONAL SERIES FIELD IS MARKED S3 AND S4. FOR CUMULATIVE SERIES FIELD, CONNECT S3 TO S2 AND CONNECT S4 TO NEGATIVE. FOR DIFFERENTIAL SERIES FIELD CONNECT S4 TO S2 AND S3 TO NEGATIVE.
 - OPTIONAL CONTROL SIGNAL LEAD IS MARKED AX2. ALWAYS TAKE INTERPOLE DROP BETWEEN A2 AND AX2. NOTE: NEMA DESIGNATION FOR AX2 IS LETTER C.
 - SPACE HEATERS, WHEN PROVIDED, WILL HAVE LEADS MARKED H1 AND H2, H3, H4, ETC.
 - THERMAL PROTECTOR, WHEN PROVIDED, WILL HAVE LEADS MARKED P1 AND P2, P3, P4, ETC.
 - WINDING RTD'S, WHEN PROVIDED, WILL HAVE LEADS MARKED TD1, TD2, & TD3
 - BRUSH WEAR SENSOR, WHEN PROVIDED, WILL HAVE LEAD MARKED W1.
 - WARNING** — MOTOR MUST BE GROUNDED TO PREVENT SERIOUS INJURIES TO PERSONNEL. GROUND THE MOTOR PER IEC, NATIONAL ELECTRICAL CODE AND ANY APPLICABLE LOCAL ELECTRICAL CODES. A TAPPED HOLE IS PROVIDED IN THE CONDUIT BOX, ON THE FOOT. FRAME BRACE OR OPPOSITE DRIVE END BRACKET, ADJACENT TO THE TERMINAL BOX FOR MOTOR GROUNDING. GROUND LEAD, WHEN PROVIDED, WILL BE GREEN.
- CUSTOMER _____ RELIANCE
ORDER NO. _____ S.D. NO. _____

REV. DESC: DELETED DUPLICATE WORDS FROM NOTE 8

REV. LTR: A

VERSION: 01

TDR: 000000970330

FILE: \RSN\00026\422

REVISED: 10:19:12 03/11/2016

BY: RAGTBM

MTL: -

BALDOR

D-C MOTOR CONNECTION DIAGRAM STAB. SHUNT

SH 1 of 1

Marketing maintained PDF of MN604:

[MN604?ManNumber=MN604](#)